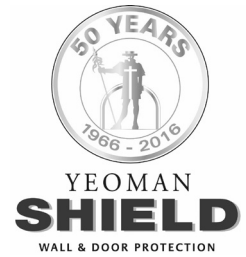
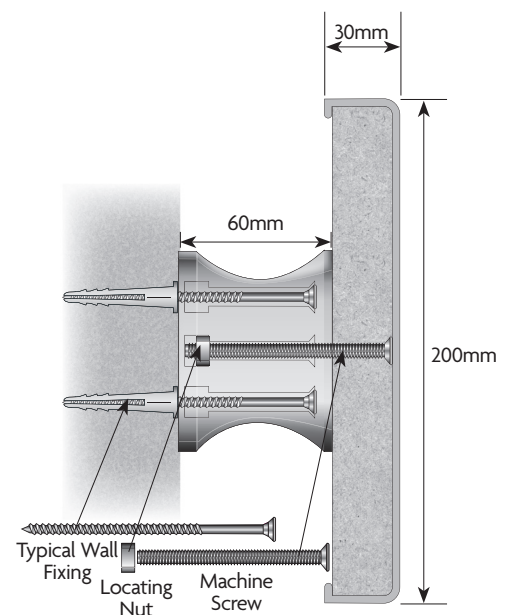
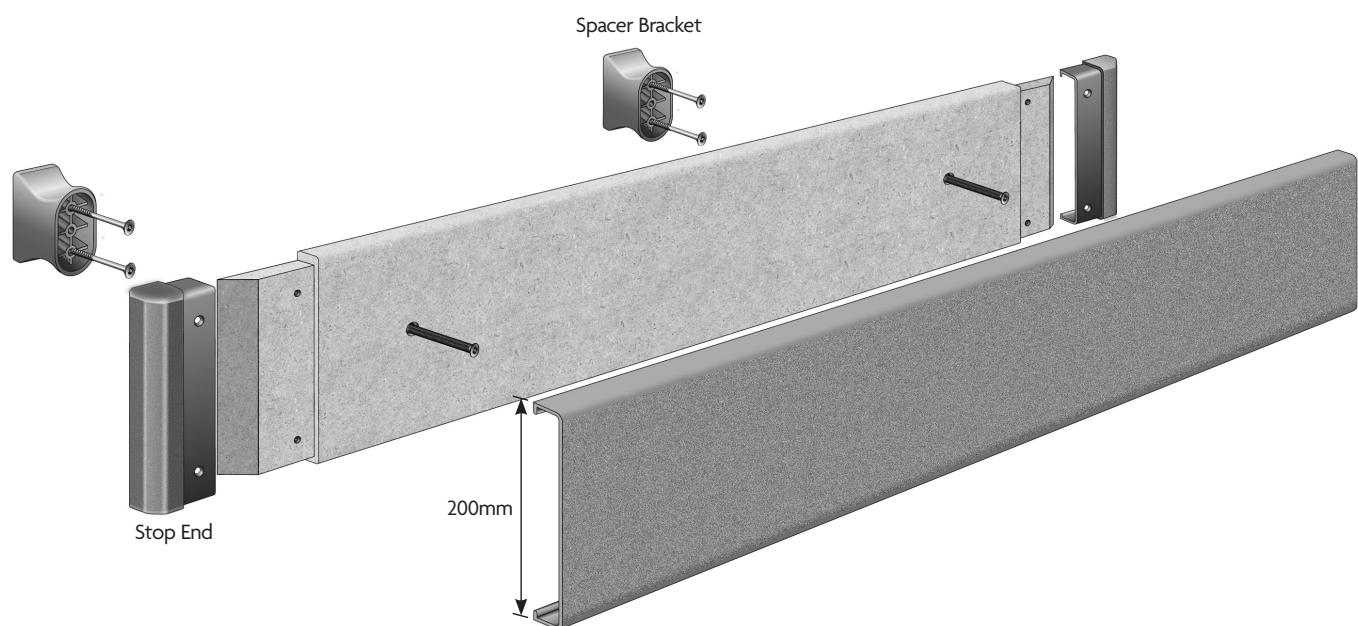


BED HEAD PROTECTORS FIXING INSTRUCTIONS

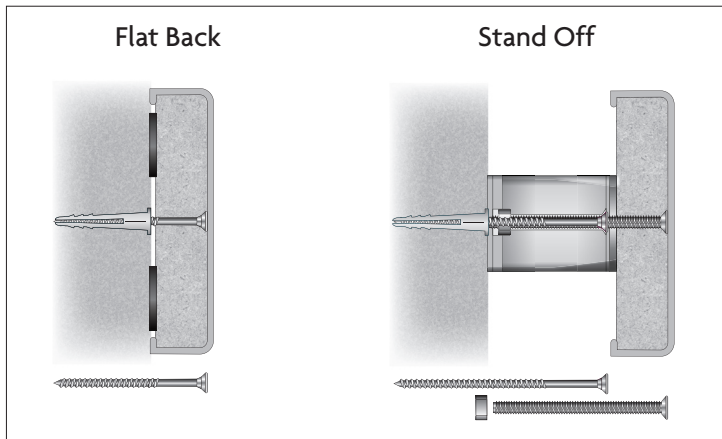
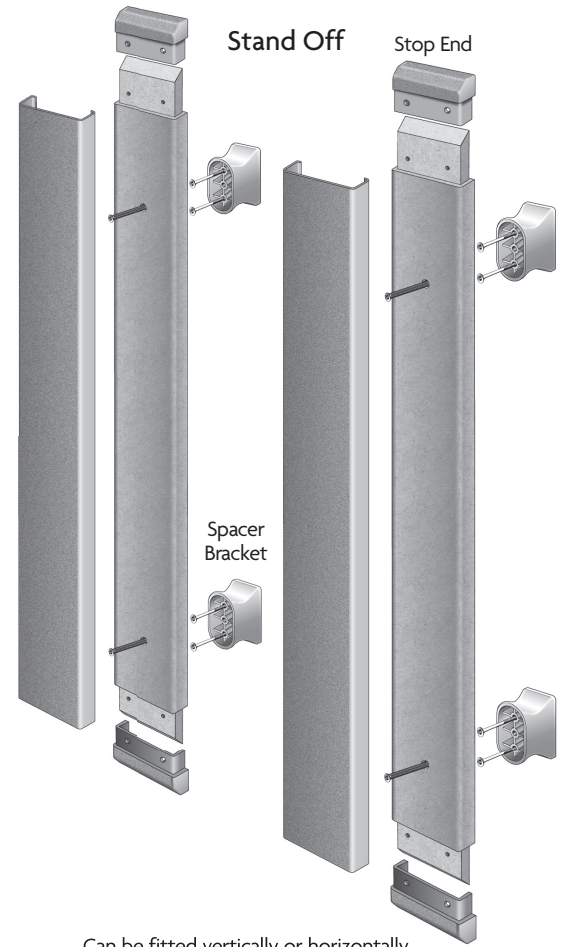
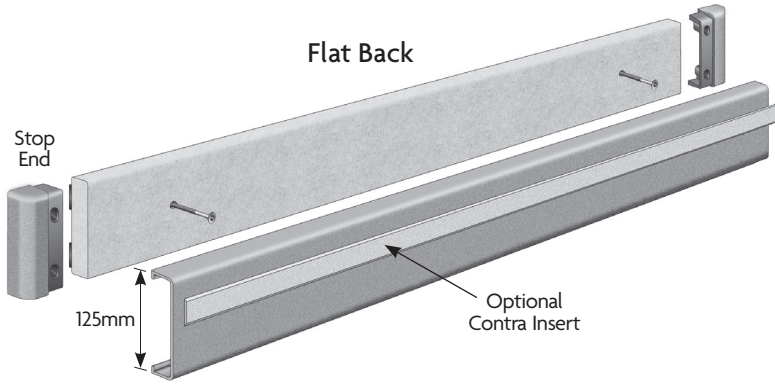


Yeoman Shield products should be installed in accordance with the following manufacturers recommended instructions.



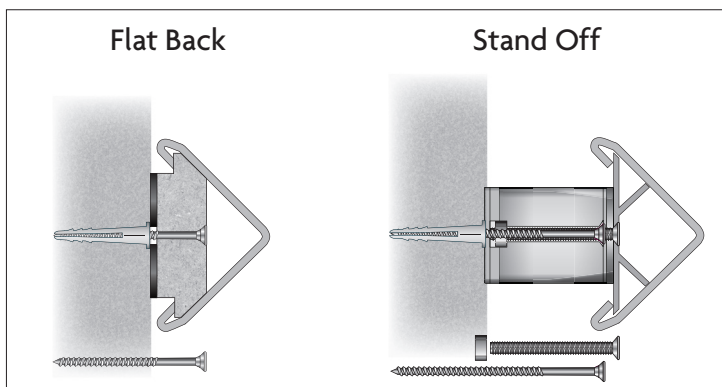
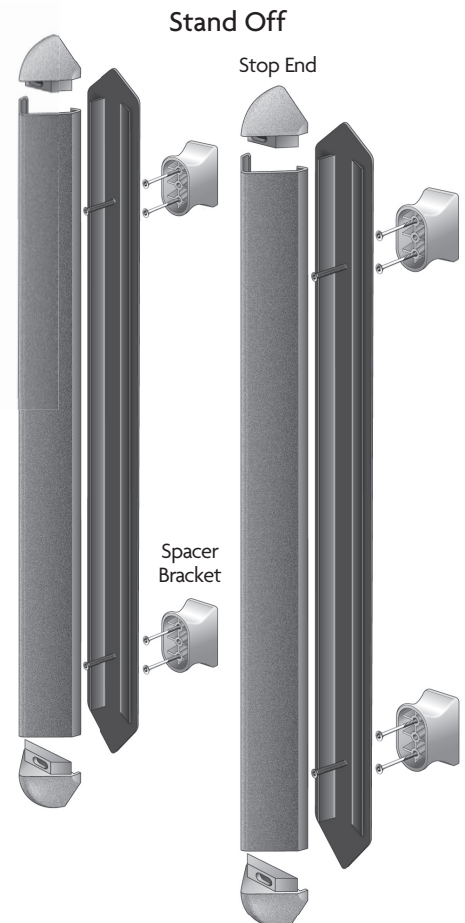
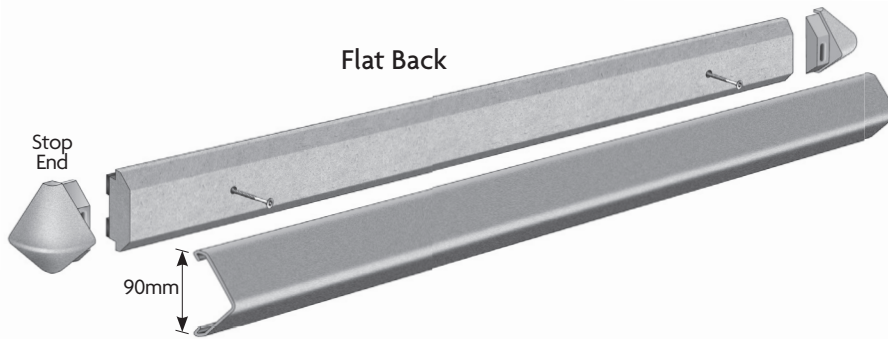
N.B. Details on Expansion and Contraction, Glazed Areas, Cleaning, etc., are shown on the reverse of this document.

125mm Bed Head Protector



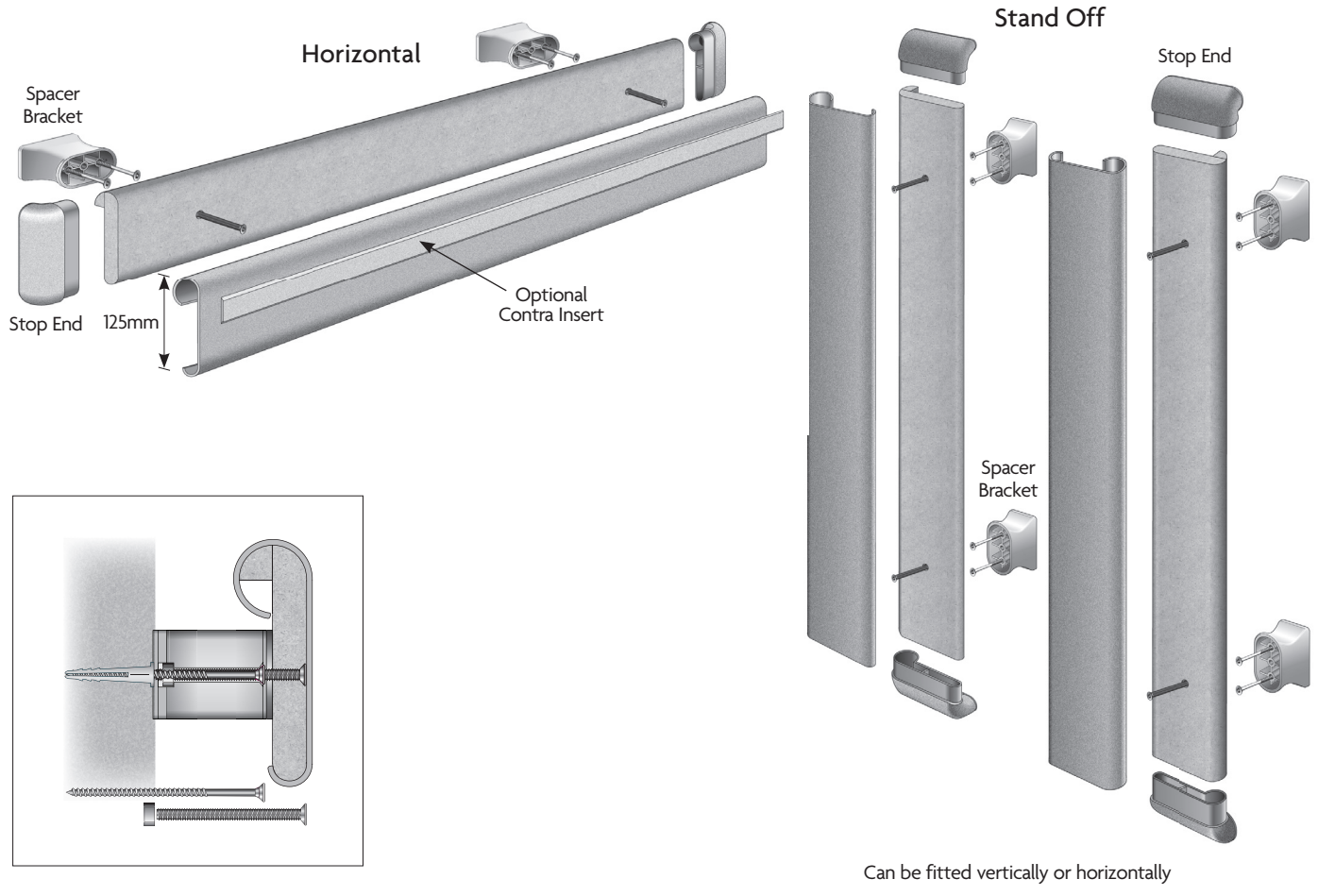
Can be fitted vertically or horizontally

Ultra 60 Bed Head Protector

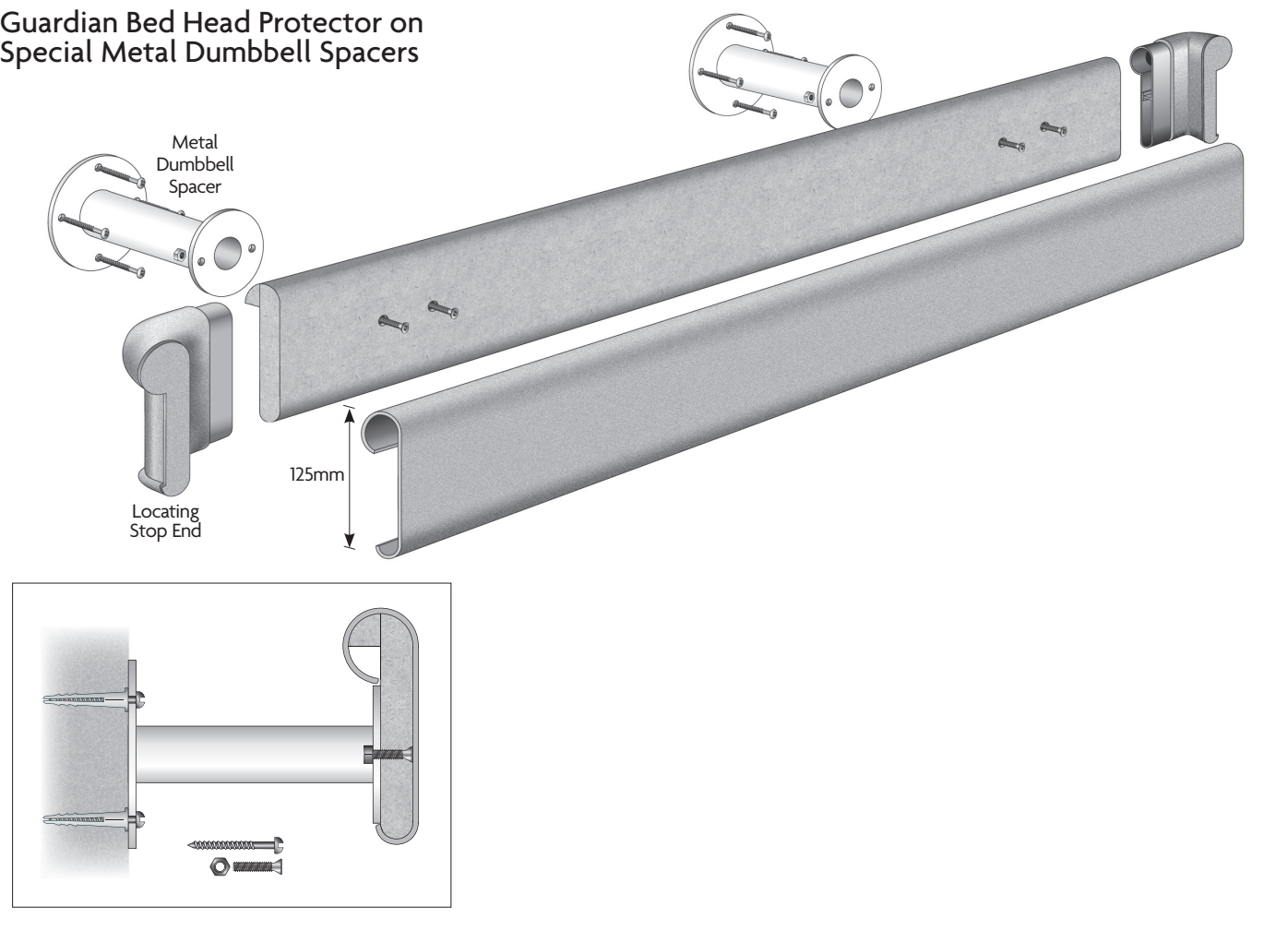


Can be fitted vertically or horizontally

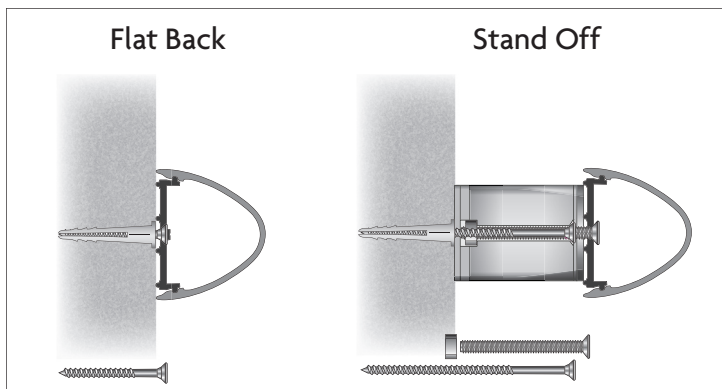
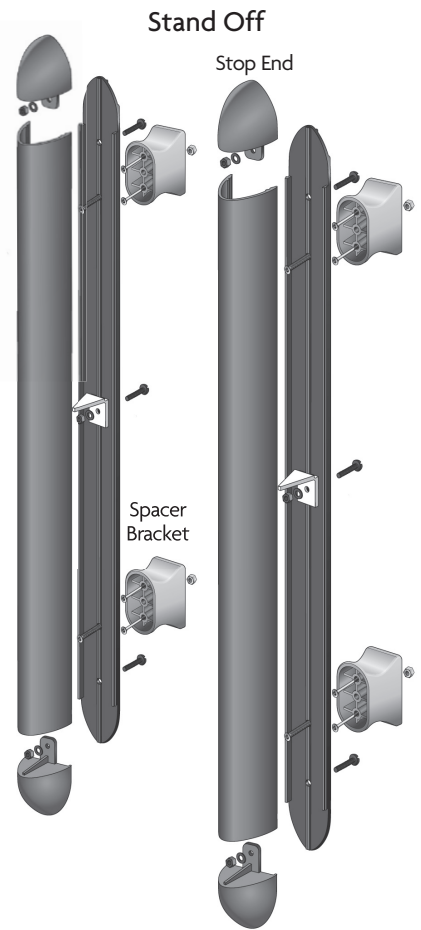
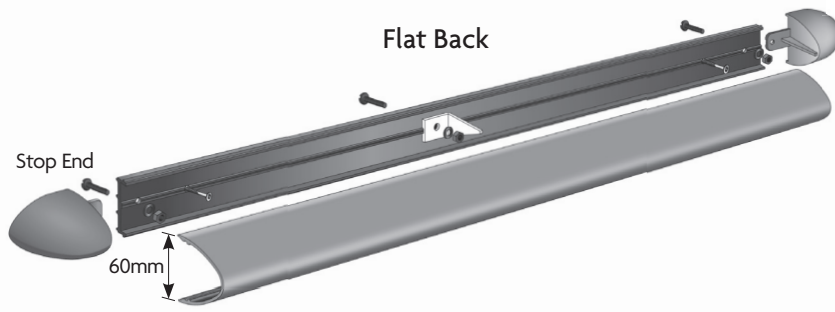
Guardian Bed Head Protector



Guardian Bed Head Protector on Special Metal Dumbbell Spacers

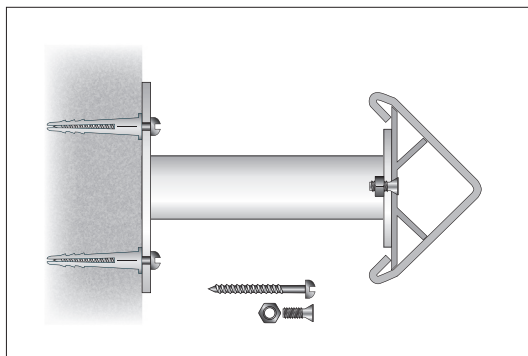
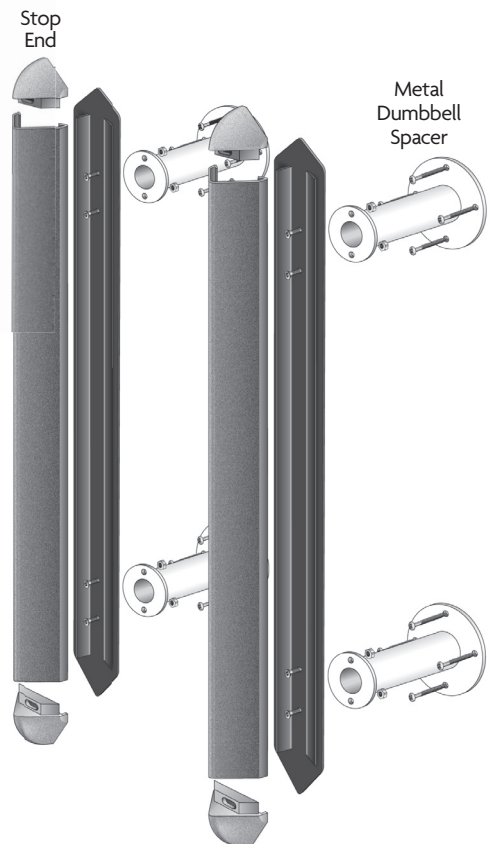
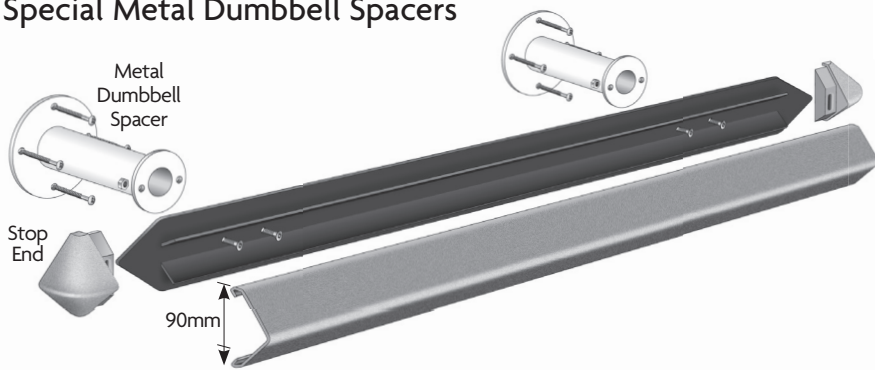


Maxi Bed Head Protector



Can be fitted vertically or horizontally

Ultra 60 Bed Head Protector on Special Metal Dumbbell Spacers



Can be fitted vertically or horizontally

Bed Head Protectors

This information applies to all types/styles of **Yeoman Shield** Bed Head Protectors, whether fitted horizontally or vertically, whatever the length. (Maxi type still available, although the Protection Rail has been withdrawn from our range - limited stock).

N.B. In our opinion, horizontal Bed Head Protectors should not be specified or used if electrical/mechanical beds are being used in the Wards or Bedrooms, as they can become trapped underneath the protector and dislodge it.

Yeoman Shield Bed Head Protectors are usually manufactured and supplied to the required size and length ready for fixing.

They can be fitted flat back, on standard 60 mm PVCu Cream spacers or on special length Cream coated, metal dumbbell spacers to give additional stand-off protection to overcome pipes, medical gases, electrical outlets, etc.

Mark the pre-determined height or position of the Bed Head Protector or spacer brackets on the wall surface, drill and secure into position, using the appropriate fixings as suggested in the table below. (When fixing Flat Back protectors to the wall, screw fix stop ends into place.)

Where necessary, screw fix the inner core to the spacer (Stand-Off only) with the appropriate fixings, and clip on the Vinylac PVCu cover.

Fit stop ends into position using the appropriate adhesive (Stand-Off only).

The information above is a general overview for fitting all types of Bed Head Protectors, but please read the following as well:

- We recommend that standard PVCu spacers for stand-off protectors are fixed as shown on the drawings, secured to the substrate through the two outer holes and the inner core is then fixed to the spacer through the middle hole, where the machine screw links up with a fixed nut within the spacer.
125 mm and 200 mm require a 80 mm long countersunk screw.
Guardian requires a 75 mm long countersunk screw.
Maxi and Ultra 60 require a 60 mm long pan head screw.
- Fixings are not supplied with the bed head protectors, but the PVCu spacers comes complete with the fixed nut in the centre hole.
- Metal dumbbell spacers for stand-off protectors should be secured to the substrate through the four fixing holes and the inner core is then fixed to the spacer through two fixing holes, using the following sized bolts and hexagonal nuts:
125 mm and 200 mm require a M6 x 30mm countersunk.
Guardian requires a M6 x 25mm countersunk.
Maxi and Ultra 60 require a M6 x 20mm pan head.
- Stop ends for stand-off protectors are 'let in' to the inner core on 125 mm, 200 mm, Maxi and Ultra 60 type.



Flat Back

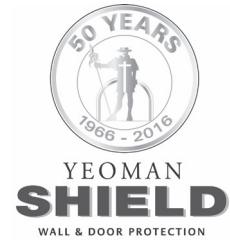
| Wall Structure | Screw | Plug |
|---|---|----------------------------|
| Plasterboard | Appropriate length 5mm machine screw | 5mm Rubber Rawlnut |
| Brickwork, Breeze Blockwork, Concrete | Appropriate length No. 10 woodscrew | No. 10 Plastic plug |
| Lightweight Blockwork e.g. Thermalite, Siporex | Appropriate length No. 10 woodscrew | Fischer S8 Plastic plug |
| Steel | Self-tapper | - |



Stand Off

| Wall Structure | Screw | Plug |
|---|---|------------------------------|
| Plasterboard | Appropriate length 6mm machine screw | 6mm Rubber Rawlnut |
| Brickwork, Breeze Blockwork, Concrete | Appropriate length No. 12 woodscrew | No. 12 Plastic plug |
| Lightweight Blockwork e.g. Thermalite, Siporex | Appropriate length No. 12 woodscrew | Fischer GB10 Plastic plug |
| Steel | Self-tapper | - |

GENERAL INFORMATION



Yeoman Shield products are manufactured using Vinylac, a specially formulated PVCu material that is resistant to impact and abrasion, which is exclusive to Harrison Thompson & Co. Ltd.

Fire Test Information PVCu Protection Products

Fire tested in accordance with and achieved the following:

BS 476: Part 7: 1997 - The Surface Spread of Flame of Products - **Class 1Y (Class 1 is the best classification in this test)**.

BS 476: Part 6: 1989 + A1: 2009 - Fire Propagation for Products - **Class O** - As defined in the latest Building Regulations, Approved Document B (Fire Safety).

BS EN 13823: 2010 + A1: 2014.

BS EN ISO 11925 - 2: 2010.

EN 13501 - 1: 2007 + A1: 2009.

Door Edge Protectors - Ⓟ Patented Product

Fire tested in accordance with and achieved the following:

BS 476: Part 22: 1987 - For ½ hour or 1 hour fire integrity on full door assemblies.

BS 476: Part 31.1: 1983 - To meet requirements of **BS 5588**.

PVCu Clad Glazing Bead

Fire tested in accordance with and achieved the following:

BS EN 1634 - 1: 2008 - For ½ hour or 1 hour fire doors.

BS 476: Part 22: 1987 - For ½ hour or 1 hour fire integrity on full door assemblies.

All testing has been carried out at Exova Warrington or Exova Chiltern Test Houses and the full fire test reports are available on request.

Surfaces & Cleaning

Yeoman Shield products are inherently hygienic if they are properly cleaned and maintained on a regular basis.

Our PVCu materials are 'rigid' and they do not support the growth of bacteria or mould. When cleaning, we recommend using a solvent cleaner or products such as Dettol, Johnsons Clear, etc.

Stubborn marks may need an industrial strength solvent cleaner to remove them, such as TRADESOLVE 1 (UN 1294). **N.B.** This type of cleaner should be used strictly in accordance with the manufacturers recommendations.

Smooth surfaces are more likely to show all marks, scuffs and scratches. The textured surfaces of **Yeoman Shield** products helps to hide the everyday knocks, bumps, scrapes and marks caused by vehicular traffic.

Maintenance

None required other than normal cleaning in accordance with details shown above.

Chemical Resistance

Vinylac is unaffected by commercial solvents and cleaners.

DDA

(Disability Discrimination Act)

Yeoman Shield products do not contravene the **DDA** requirements, and meet the principals of **HTM69**. (Further details available if required).

Installation

Manufacturers recommended fixing instructions are shown overleaf. However, if additional information or clarification of any points is required then please contact our Sales Office **0113 279 5854**.

We are **CHAS (Contractor, Health & Safety Assessment Scheme)**, accredited contractors.

All our operatives hold relevant **CSCS** cards with Site Foremen having the **SSSTS** Certificates.

Expansion & Contraction

Yeoman Shield products will expand and contract according to temperature fluctuations:

Generally, PVCu materials expand or contract 0.07mm/m for every 1° Celsius rise or fall.

Please ensure that our materials are acclimatised to the environment into which they are being installed, they should be stored at normal working temperature for at least **24 hours** prior to fitting. We recommend the optimum temperature being **23°**, which is in line with the temperature during manufacture and this should limit the amount of expansion and contraction.

It is not advisable to take materials that have been stored in a cold environment, i.e. an unheated site, cold storage container/van, etc. and install these without allowing them to acclimatise, **as this may lead to unnecessary movement of material in the future.**

N.B. Greater movement may occur in glazed corridors. In extreme cases of temperature variation it may be necessary to use an alternative fixing method, please speak to our Sales Office for advice.

Colour Fastness

All Vinylac products are UV stabilised, therefore reducing the fading effect when exposed to direct sunlight. It should be recognised, however, that excessive expansion will occur in these conditions.

Further information regarding this and other colour issues can be found in our brochure or colour card, both of which are available from our Sales Office, or on our website.

Impact/Abrasion

Vinylac results: Abrasion **BS2782; Part 3:1990**
Scratch ASTM D3363 - 74.

Bonding

Although **Yeoman Shield** supplied adhesives will perform in difficult environmental conditions they will activate more readily if applied at normal room temperature.

The bond strength will then continue to increase after the initial application.

Warranty

Yeoman Shield products are guaranteed free from defects. If they are installed correctly and in accordance with the manufacturers recommendations, they will protect surfaces from damage for many years.

Environmental

Yeoman Shield operates an Environmental policy and ensures the recycling of all materials and packaging wherever possible, a copy of our policy can be requested from our Sales Office.

All our materials/products are sourced and manufactured in the United Kingdom and can therefore contribute to achieving the requirement of the **BREEAM 2011 Technical Construction Manual** for building sustainability and life cycle, **as well as reducing our carbon footprint.**

Health & Safety

Full **COSHH (Control of Substances Hazardous to Health)** details on all **Yeoman Shield** products are available from our Sales Office.

In accordance with **REACH** Regulations, our products do not contain any chemicals that are on the **SVHC (Substances of Very High Concern)** list dated June 2012.

Technical Support & Advice

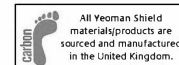
Data sheets on the various **Yeoman Shield** materials are available from our Sales Office.

Timber Products

All wood incorporated in **Yeoman Shield** products is purchased from an **FSC supplier**.

MAKING BUSINESS A PLEASURE

Harrison Thompson & Co Ltd, Yeoman House, Whitehall Estate, Whitehall Road, Leeds, LS12 5JB.
Tel: 0113 279 5854 Fax: 0113 231 0406 Email: info@yeomanshield.com Website: www.yeomanshield.com



Registered Office as above. Registered in England No. 2669275 VAT Reg No. GB 169 3105 61
Directors: S.L.Russell, G.C.Brumwell, P.Christopher, A.C.Brumwell, R.Good. FI Mar 17